



## FLORY 870 LOW DUST PTO HARVESTER

View Real Performance  
Video

YouTube



### FEATURES

- High-capacity PTO powered nut harvester designed to maximize harvest speed, operational efficiency, and crop cleanliness
- Swivel gearbox allows for continuous PTO operation while turning
- Industry leading 57" wide throat to close the windrow and prevent missed nuts
- Large undershot suction fan for superior performance and ease of cleaning
- Enhanced suction zone geometry to maximize material separation and crop cleanliness
- Hydraulically driven pickup and conveying systems ensure dependability and smooth operation
- Three cleaning chains for superior dirt separation and reduced dust emissions
- Cleaning chains and drive components are interchangeable with the 860 and VX240 harvester
- Shared frame with the VX240 allows for the Vortex dust separation module to be added and removed
- Easy tool-free head height adjustment with jack mechanism
- More access panels for ease of cleaning and servicing
- Improved side plate wear strip and deflector adjustment
- Standard features include adjustable hydraulic hitch, camera with monitor, and hazard lights with turn signals



### TWIN-ROD

ALMOND CHAINS AND A WIDE  
VARIETY OF CHAINS AVAILABLE  
FOR OTHER CROPS

#### Suitable Crops



### SPECIFICATIONS

<b>HYDRAULIC OIL CAPACITY</b>	151 L (40 gal.)
<b>PTO RPM</b>	1,000 RPM
<b>MIN. PTO HP.</b>	85 HP
<b>FRONT TIRES</b>	280 / 70R - 15
<b>REAR TIRES</b>	385 / 65R - 22.5
<b>THROAT WIDTH</b>	1.45 m (57 in.)
<b>CLEANING CHAIN WIDTH</b>	1.22 m (48 in.)
<b>WEIGHT</b>	3,810 kg (8,400 lbs.)

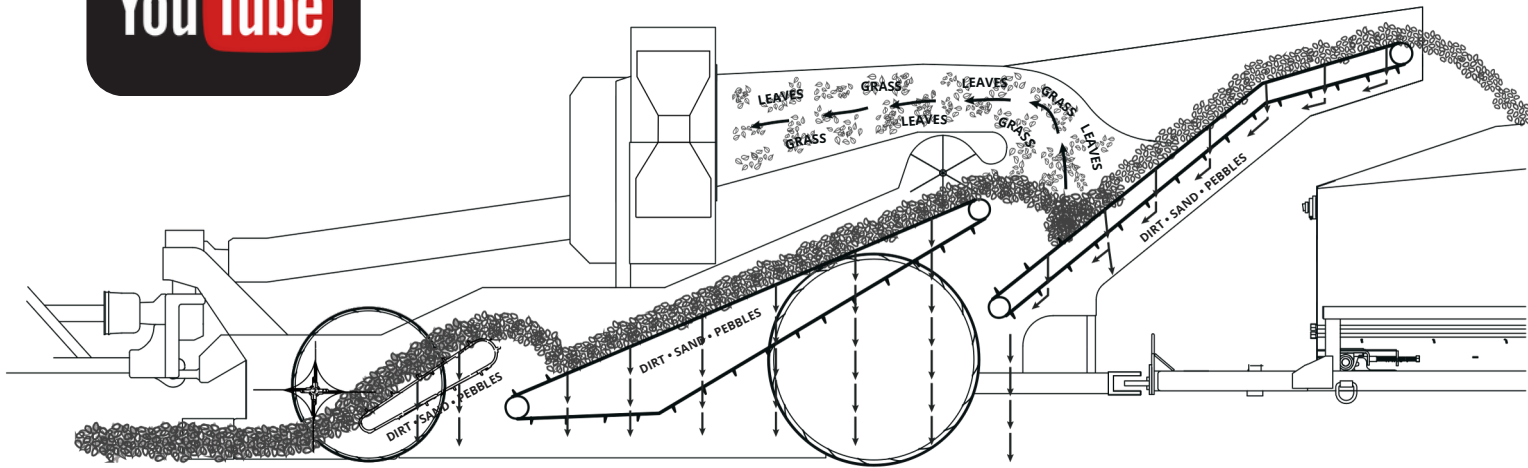
### OPTIONS

- HYDRAULIC POWER PAK KIT

Suitable Crops



View Real  
Performance Video



THREE CLEANING CHAINS  
REMOVES - DIRT • SAND • PEBBLES