



FLORY TRACTOR MOUNT TMV-SWEEPER & 2X62 BLOWER

View Real Performance Video

YouTube



FEATURES

- The Flory Tractor Mount V-Sweeper combined with the 2X62 Blower maximizes the speed and efficiency of harvest by reducing the number of sweeping passes, machines and operators required
- In-cab push-button adjustment of sweeping reels, brushes, blower dampers and spouts
- One-touch button automatically lowers sweeper heads, which hydraulically float to follow the terrain
- Heads and blower use 3-point mounts to easily connect and disconnect from the tractor
- Proven sturdy 5 bar head and "Align-Mount" reel for extended bearing and reel life
- Now includes dust containment curtain for sweeper heads (not shown)
- Turn signals and flashers for improved road safety

OPTIONS

2X62

- Blower Spout Type (Shown with Berm Spouts)
- Tractor or Stand Alone Hydraulics

TMV

- Head Size (See Table)
- Berm Brushes on Heads

**IN-CAB CONTROLS
WITH JOYSTICK AND
PUSH-BUTTONS**

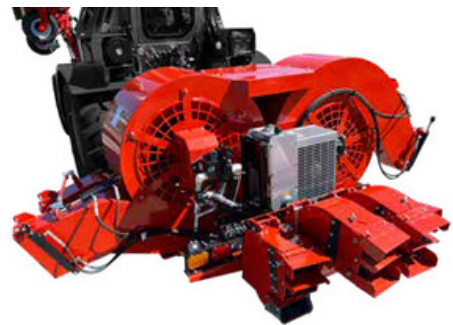


Suitable Crops



**HEADS FOLD UP AND SPOUTS STOW ON
BACK OF BLOWER**

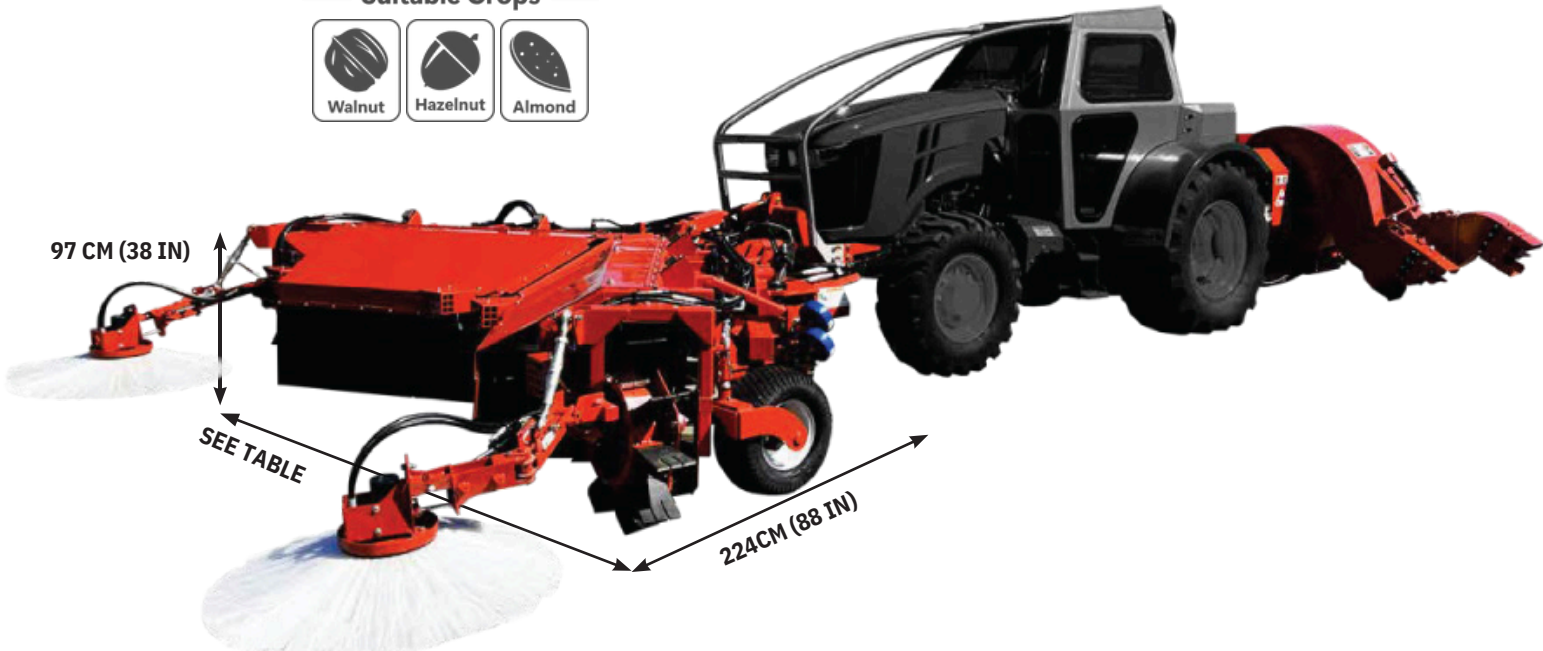
FOR EASE OF TRANSPORTATION
9 FT. - 6 IN. TRANSPORT HEIGHT (APPROX.) 290 CM



SPECIFICATIONS

PTO SPEED	1,000 RPM
MIN. PTO HP.	90 HP (TMV AND BLOWER) / 60 HP (BLOWER ONLY)
MIN. HYD. SUPPLY	75.7 LPM (20 GPM), 1,500 PSI (TMV ONLY)
TMV HYD. OIL CAPACITY	22.7 L (6 GAL)
TMV WEIGHT	1,633 KG (3,600 LBS) (WITH 5-5 HEADS)
BLOWER HYD. OIL CAPACITY	22.7 L (6 GAL) TOTAL / 16.7 L (4.4 GAL) IN TANK
BLOWER WEIGHT	998 KG (2,200 LBS) (WITH POWER PACK)
BLOWER AIR OUTPUT	UP TO 235 KM/H (146 MPH) 44,260 M ³ /H 26,050 CFM TOTAL

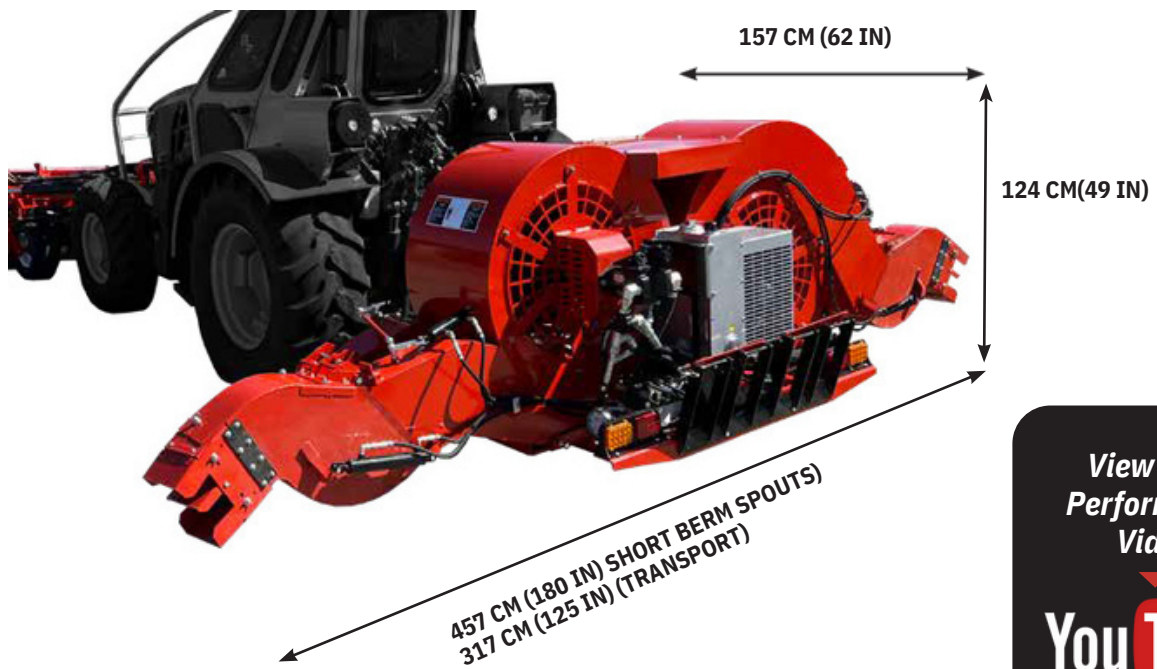
Suitable Crops



SWEEPING WIDTHS

MODEL	HEAD SIZE	RECOMMENDED TREE ROW SPACING CM				
		580	610	640	670	700
TMV44V62DUAL	135 CM (4.5 FT) + BRUSHES					
TMV55V62DUAL	168 CM (5.5 FT) + BRUSHES					

NOTE: MAY VARY DEPENDING ON CONDITIONS



View Real
Performance
Video

